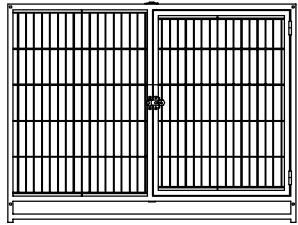
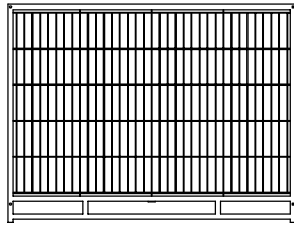


24154/ 24155 Assembly Instruction

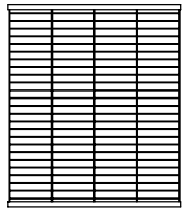
Components



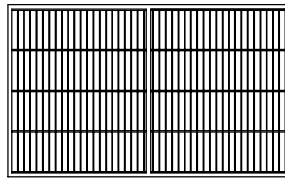
A:1× Front Panel



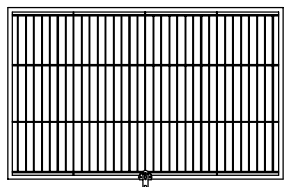
B:1× Back Panel



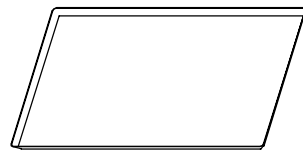
C:2× Side Panel



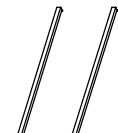
D:1× Bottom Panel



E:1× Top Panel



F:1× Bottom Tray



G:2× Bottom Bar



H:8× Screw M8*40



I:2× Screw M6*30



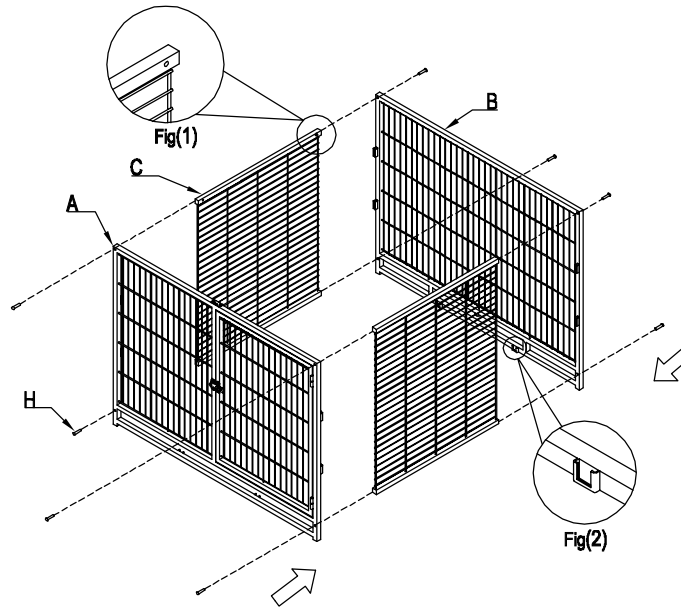
J:4× Wheel



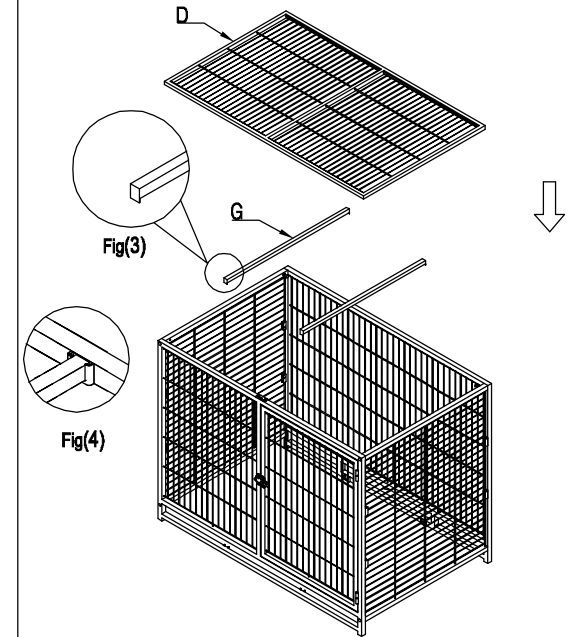
K:2× Nut



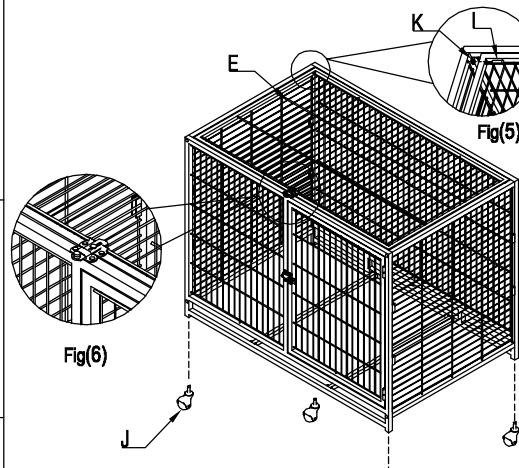
L:1× Spanner



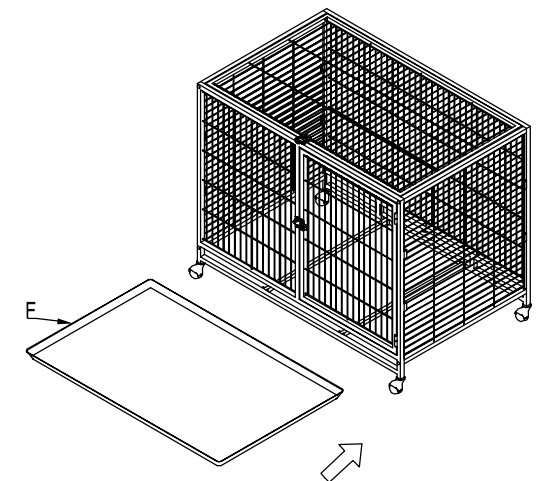
Step 1. Connect Front Panel (A) and Back Panel (B) to Side Panel (C) with screw (H). Make sure the side with whole for Side Panel (C) and the side with bottom bar location for Front & Back Panel inward cage.



Step 2. Insert Bottom Bar (G) into inner location on Front & Back Panel. Put Bottom Panel (D) upon Bottom Bar (G).



Step 3. Screw-in Nut (K) between Top Panel (E) to Side Panel (C) and keep locker outside Top Panel. Insert wheels (J) into feet.



Step 4. Insert Bottom Tray (F) into guide gap.